



**Crafting
GLASS EQUIPMENTS
for Scientific Requirements**



About Precious

For over a decade (since 2013), Precious Scientific Glass Works has been a trusted partner in the scientific community, providing high-quality glassware solutions for pilot and large-scale assemblies.



Infrastructure Facilities Spread over 13500 SQF

Our expertise caters to a diverse range of industries, including:



Chemical



Pharma API & Intermediates



Distillation Industries



Paint & Pigment Industries



Agricultural Chemicals



CDMOs



Research Organizations



Pilot Plants



Aroma Chemicals

Our Core Expertise



GLASS REACTOR & PILOT PLANT

- Kilo Lab Glass Reactor
- Mobile Glass Reactor
- Jacketed Glass Reactor
- Glass Reactor With Glass Cover



DISTILLATION UNIT

- Reflux Reaction Distillation Unit
- Reaction Distillation Unit
- Simple Distillation Unit
- Fractional Distillation Unit
- Short Path Distillation Unit
- Distillation Assembly Over Glass Lined Reactor

Our Core Expertise



GLASS HEAT EXCHANGERS

- Glass Shell & Tube Heat Exchanger
- Glass Coil Condenser



JACKETED GLASS REACTORS (LAB SCALE)

- Digital overhead stirrer (2000 RPM)
- Magnetic coupler for torque
- Zero hold-up bottom valve
- Insulated hoses (customizable)
- Heating/Chilling thermostat



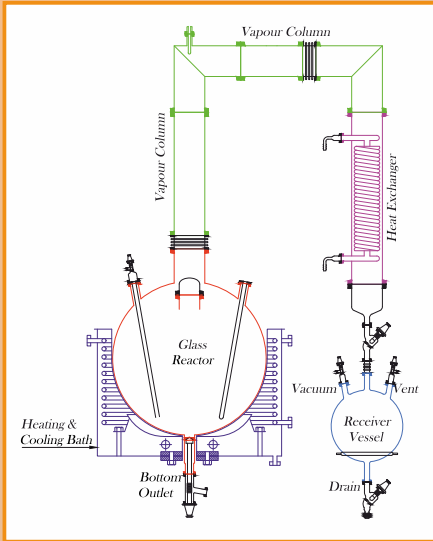
HCL GAS GENERATION UNIT

- Azeotropic Boiling Dry HCL Gas Generator
- Calcium Chloride Dry HCl Gas Generator
- Sulphuric Acid Dry HCL Gas Generator

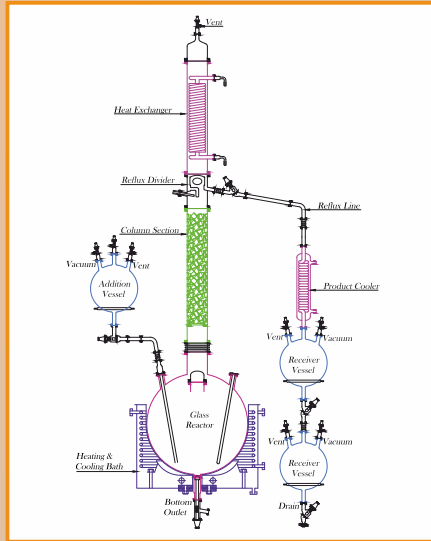


- LAB GLASSWARE
- LAB MISC. PRODUCTS
- LAB PLASTICWARE
- ANALYTICAL LAB APPARATUS
- LAB RUBBERWARE
- LAB PTFE ITEMS

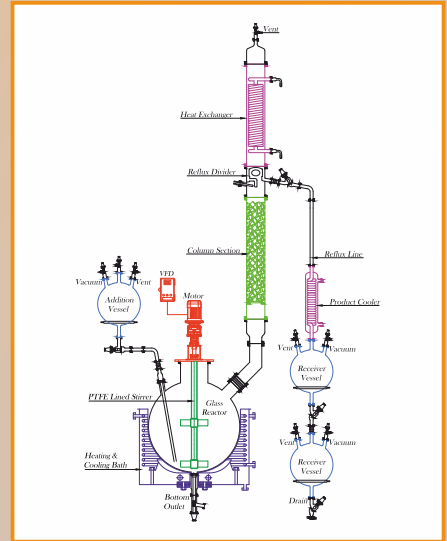
Our Product Portfolio



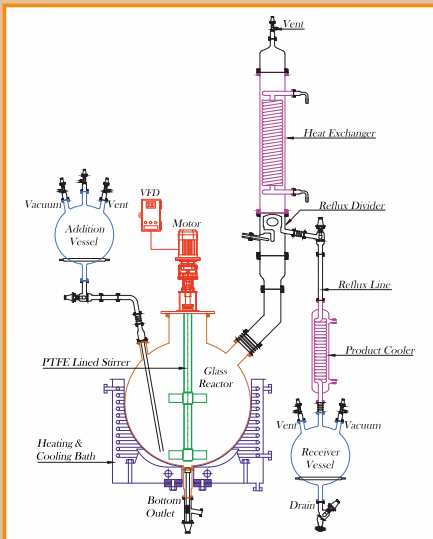
Simple Distillation Unit



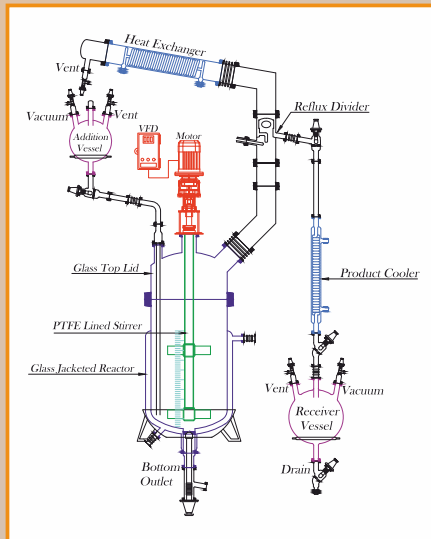
Fractional Distillation Unit



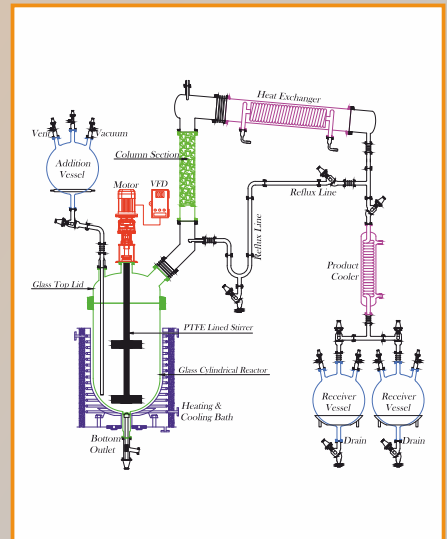
Reaction Cum Distillation Unit



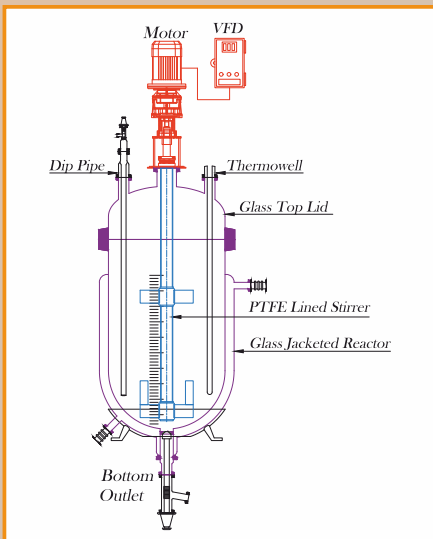
Reaction Unit



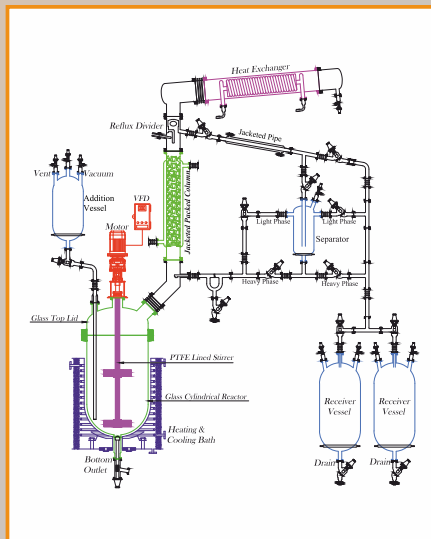
Glass Jacketed Pilot Plant



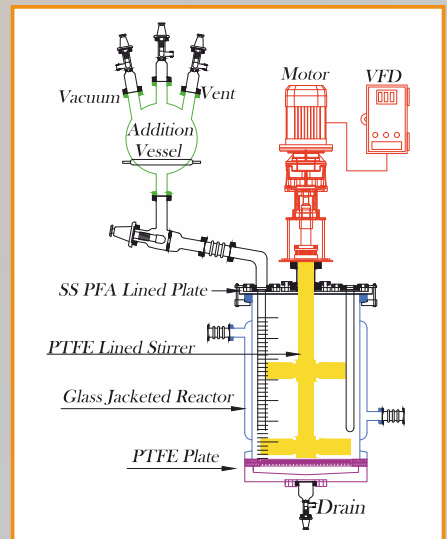
Glass Cylindrical Type Reaction Distillation Unit



Jacketed Mixing Reactor

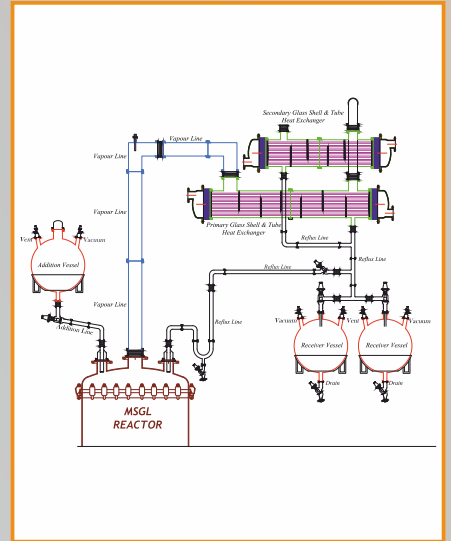
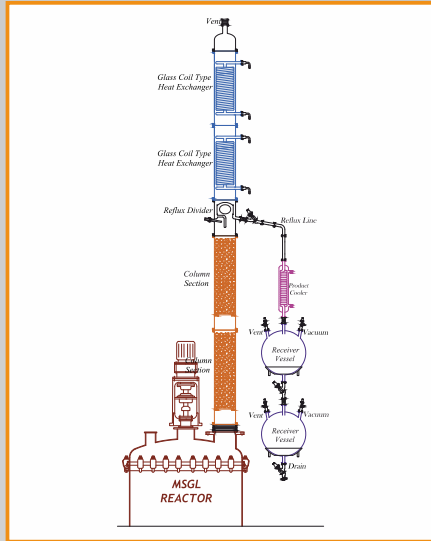
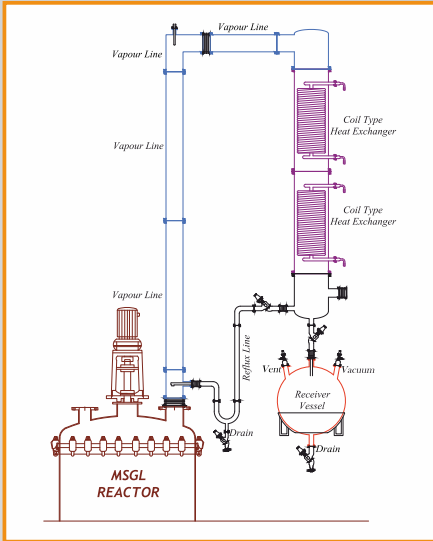


Glass Multi Purpose Unit

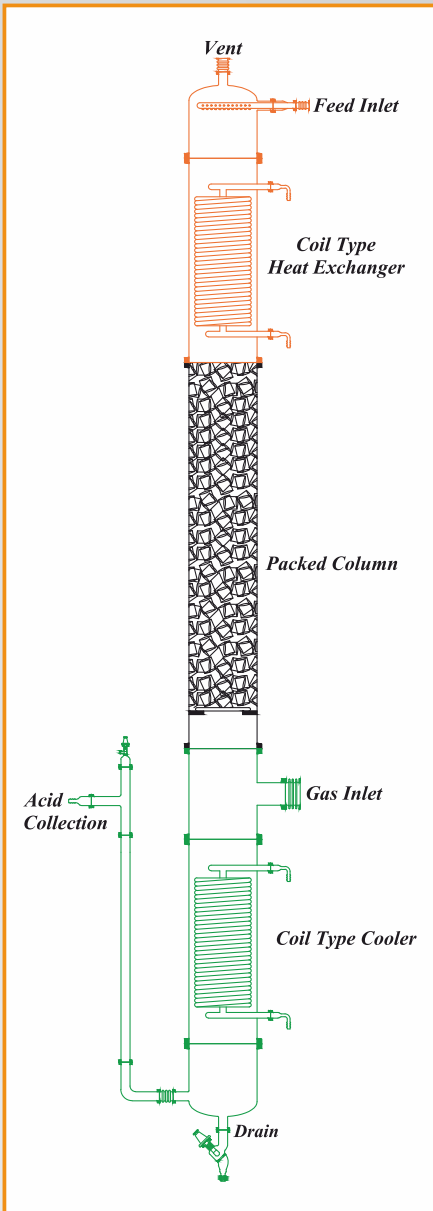


Agitated Nutsche Filter

Our Product Portfolio



Glass Over Head Distillation Assembly Over GLR



HCL Adiabatic Absorber



Dry HCL Gas Generator



Bromine Recovery Plant



Laboratory Instruments & Equipments



Rotary Evaporator

Vision

Precious Scientific Glass Works will promote safe and feasible use of glass for handling corrosive and pure media, to cater the process needs, by careful design, sourcing, making, assembly and service, evaluate our core values in glass work industry.



Mission

We as a manufacturer of glass appliances, desired to passionately growing and emerging as a finest quality producers and suppliers in the global industries and caring for employees to inspire their engagement as an active team in an open leading environment”



Why Us ?

We follow ethical business activities and maintain high level of transparency in all the dealings. Our excellence in offering reliable products at most economical price range has enabled us is to establish a niche in this competitive domain.

Some of the factors that have helped us in the same are cited below:

- ☑ **Excellent Services**
- ☑ **Fully Equipped R&D Unit**
- ☑ **Stringent Quality Norms**
- ☑ **Expert Team of Professionals**
- ☑ **On Time Delivery**
- ☑ **Industry Leading Prices**

Collaborations & Contract Partnerships with Precious

Our organization has appointed various agents / distributors / consignees cum indenting agents in order to expand our business in the global market. We encourage people interested in being an agent/distributor/consignee cum indenting agents for our product line of Borosilicate Glass Equipment or PTFE/FEP lined pipelines & fittings. Anyone interested in representing our firm **PRECIOUS SCIENTIFIC GLASS WORKS** can send us their company profile and present business activity along with other details.



PRECIOUS SCIENTIFIC GLASS WORKS

Plot No. 45, Yogi Estate - 3, Jitali, Nr. Karmatur Chowkdi,
GIDC Estate, Ankelshwar, Dist. Bharuch (Gujarat)-393002

Phone :

Piyush Gorasiya : +91 94289 90016, Pradip Gorasiya : +91 93750 04579

Email :

preciousscintific@yahoo.com

Web :

www.preciousscintific.com